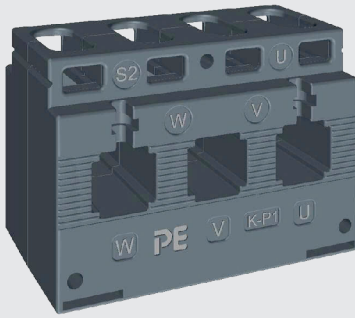


3 PHASE GLASS FILLED ABS MOULDED CURRENT TRANSFORMERS



Features:

- ☞ Easy bus bar mounting
- ☞ Glass filled ABS plastic moulding
- ☞ Double screw terminals
- ☞ Apertures accepting a wide range of bus bar
- ☞ Used ultrasonically welded and unbreakable

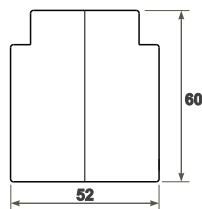
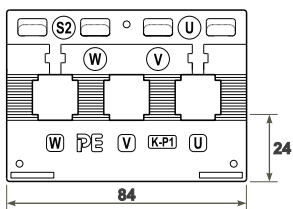
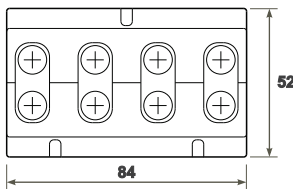
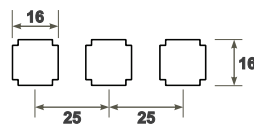
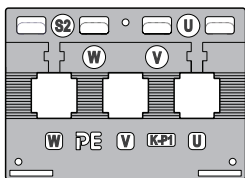
Advantages

- Easy to installation
- Highly cost effective
- Compact in size

Applications

- Switchgear
- Distribution System
- Generator Sets
- Control Panels
- Control Devices
- Overload Protection

Dimensions



All dimensions unit is mm

Input Specifications

Rated Primary Current (In) 50A to 200A
 Rated Secondary Current 5A

Technical Specifications

Rated Burden 1VA and 2.5VA
 Class of Accuracy 1 and 3
 Short Circuit Thermal Current I_{th} 60 x I_n (for 1 sec)
 Rated Dynamic Current 2.5 x I_{th}
 Insulation Class Class E (max 75°C)
 Max Operating Voltage 720V maximum
 Insulation Test Voltage 3kV AC for 1 minute
 Compliance Standard IEC-61869-2

Other Specifications

Operating Temperature 20°C to 70°C
 Storage Temperature 0°C to 55°C
 Weight 350g

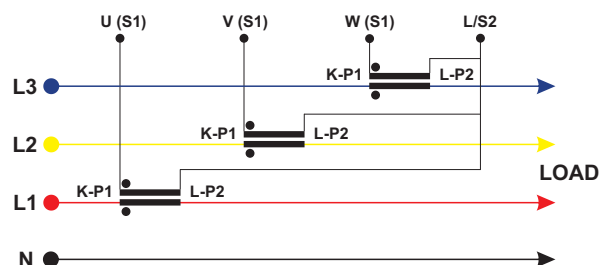
Ordering Information

Metering Current Transformer

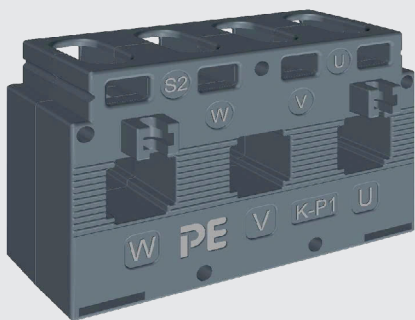
Item Code	Sr. No.	Ratio		Class			
		I _p (Amp)	I _s (Amp)	1VA	2.5VA	5VA	7.5VA
PE103.50	1	50	5	3	-	-	-
PE103.60	2	60	5	3	-	-	-
PE103.75	3	75	5	3	-	-	-
PE103.80	4	80	5	3	-	-	-
PE103.100	5	100	5	1	-	-	-
PE103.125	6	125	5	1	-	-	-
PE103.150	7	150	5	1	-	-	-
PE103.200	8	200	5	-	1	-	-

Example order code: PE103.100 1VA CL1

Wiring Diagram



3 PHASE GLASS FILLED ABS MOULDED CURRENT TRANSFORMERS



Features:

- ☞ Easy bus bar mounting
- ☞ Glass filled ABS plastic moulding
- ☞ Double screw terminals
- ☞ Apertures accepting a wide range of bus bar
- ☞ Used ultrasonically welded and unbreakable

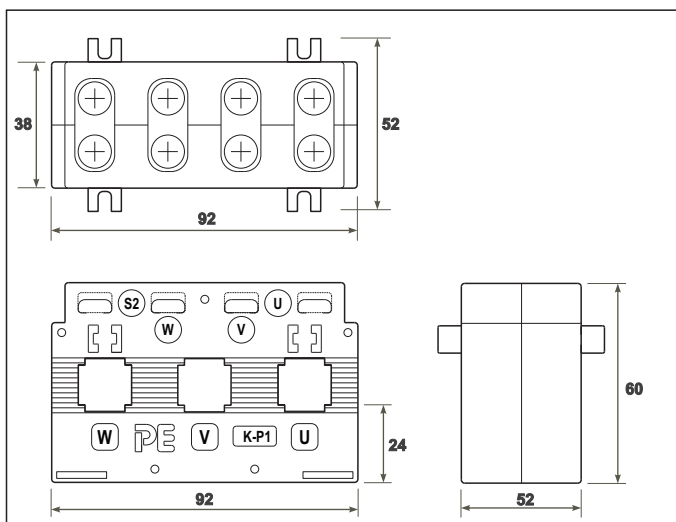
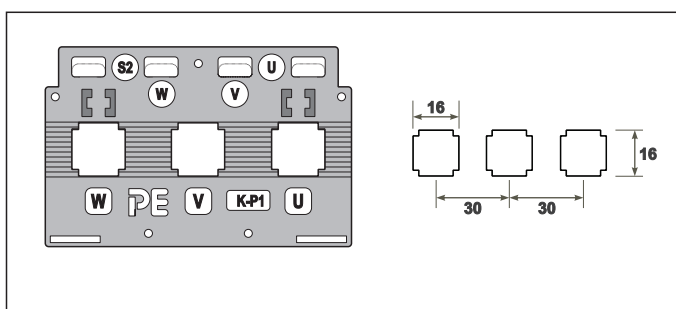
Advantages

- Easy to installation
- Highly cost effective
- Compact in size

Applications

- Switchgear
- Distribution System
- Generator Sets
- Control Panels
- Control Devices
- Overload Protection

Dimensions



All dimensions unit is mm

Input Specifications

Rated Primary Current (In) 50A to 200A
 Rated Secondary Current 5A

Technical Specifications

Rated Burden 1VA and 2.5VA
 Class of Accuracy 1 and 3
 Short Circuit Thermal Current I_{th} 60 x I_n (for 1 sec)
 Rated Dynamic Current 2.55 x I_{th}
 Insulation Class Class E (max 75°C)
 Max Operating Voltage 720V maximum
 Insulation Test Voltage 3kV AC for 1 minute
 Compliance Standard IEC-61869-2

Other Specifications

Operating Temperature 20°C to 70°C
 Storage Temperature 0°C to 55°C
 Weight 400g

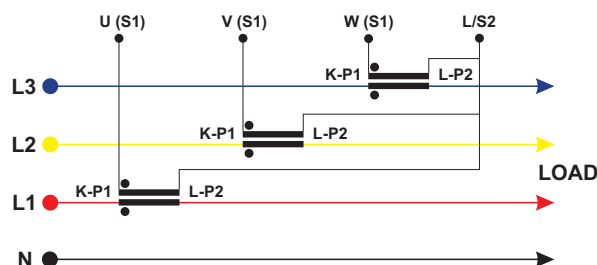
Ordering Information

Metering Current Transformer

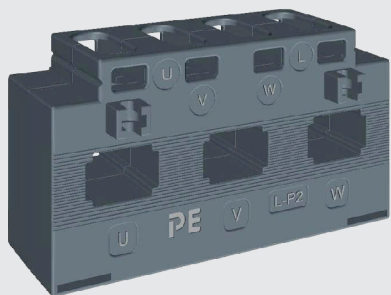
Item Code	Sr. No.	Ratio		Class			
		I _p (Amp)	I _s (Amp)	1VA	2.5VA	5VA	7.5VA
PE203.50	1	50	5	3	-	-	-
PE203.60	2	60	5	3	-	-	-
PE203.75	3	75	5	3	-	-	-
PE203.80	4	80	5	3	-	-	-
PE203.100	5	100	5	1	-	-	-
PE203.125	6	125	5	1	-	-	-
PE203.150	7	150	5	1	-	-	-
PE203.200	8	200	5	-	1	-	-

Example order code: **PE203.100 1VA CL1**

Wiring Diagram



3 PHASE GLASS FILLED ABS MOULDED CURRENT TRANSFORMERS



Features:

- ☞ Easy bus bar mounting
- ☞ Glass filled ABS plastic moulding
- ☞ Double screw terminals
- ☞ Apertures accepting a wide range of bus bar
- ☞ Used ultrasonically welded and unbreakable

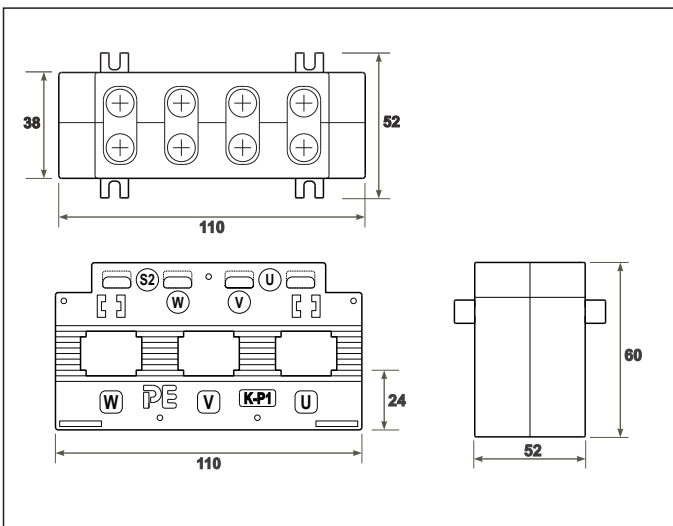
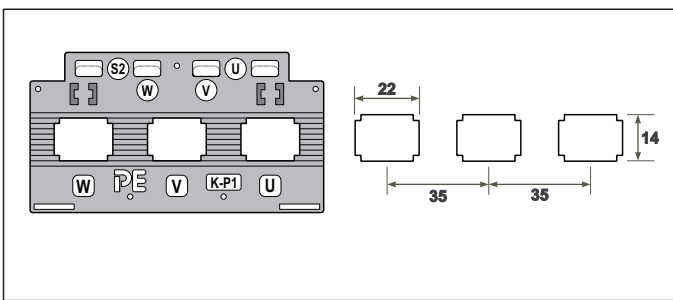
Advantages

- Easy to installation
- Highly cost effective
- Compact in size

Applications

- Switchgear
- Distribution System
- Generator Sets
- Control Panels
- Control Devices
- Overload Protection

Dimensions



All dimensions unit is mm

Input Specifications

Rated Primary Current (In) 50A to 300A
 Rated Secondary Current 5A

Technical Specifications

Rated Burden 1VA, 1.5VA, 2.5VA and 5VA
 Class of Accuracy 1 and 3
 Short Circuit Thermal Current I_{th} 60 x I_n (for 1 sec)
 Rated Dynamic Current 2.55 x I_{th}
 Insulation Class Class E (max 75°C)
 Max Operating Voltage 720V maximum
 Insulation Test Voltage 3kV AC for 1 minute
 Compliance Standard IEC-61869-2

Other Specifications

Operating Temperature 20°C to 70°C
 Storage Temperature 0°C to 55°C
 Weight 600g

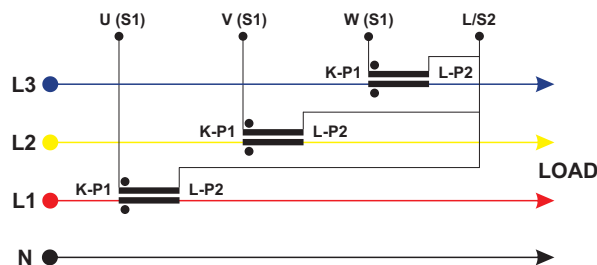
Ordering Information

Metering Current Transformer

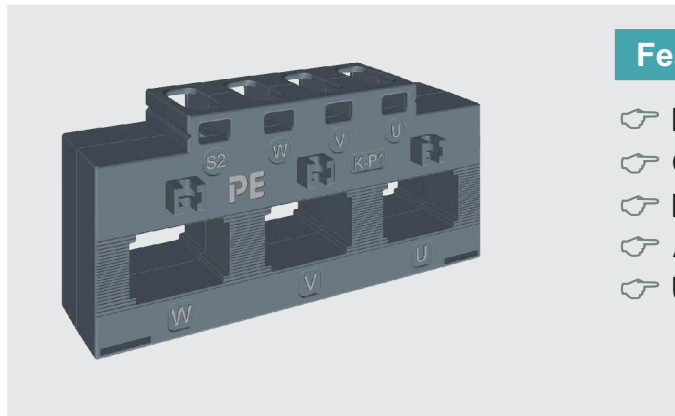
Item Code	Sr. No.	Ratio		Class			
		I _p (Amp)	I _s (Amp)	1VA	1.5VA	2.5VA	5VA
PE303.50	1	50	5	3	-	-	-
PE303.63	2	63	5	3	-	-	-
PE303.75	3	75	5	3	-	-	-
PE303.100	4	100	5	1	-	-	-
PE303.125	5	125	5	1	-	-	-
PE303.150	6	150	5	-	1	-	-
PE303.175	7	175	5	-	1	-	-
PE303.200	8	200	5	-	-	1	-
PE303.225	9	225	5	-	-	1	-
PE303.250	10	250	5	-	-	1	-
PE303.300	11	300	5	-	-	-	1

Example order code: PE303.250 2.5VA CL1

Wiring Diagram



3 PHASE GLASS FILLED ABS MOULDED CURRENT TRANSFORMERS



Features:

- ☞ Easy bus bar mounting
- ☞ Glass filled ABS plastic moulding
- ☞ Double screw terminals
- ☞ Apertures accepting a wide range of bus bar
- ☞ Used ultrasonically welded and unbreakable

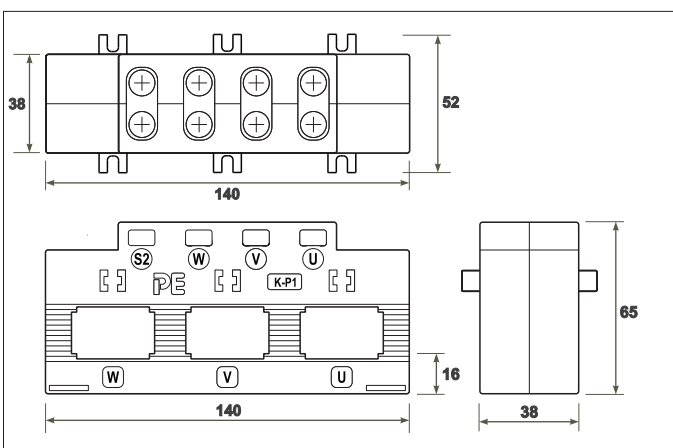
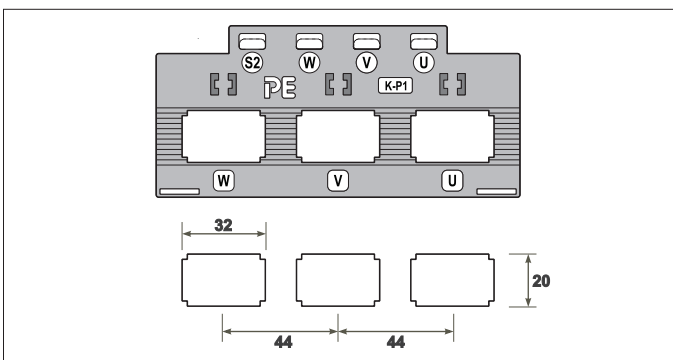
Advantages

- Easy to installation
- Highly cost effective
- Compact in size

Applications

- Switchgear
- Distribution System
- Generator Sets
- Control Panels
- Control Devices
- Overload Protection

Dimensions



All dimensions unit is mm

Input Specifications

Rated Primary Current (In) 50A to 300A
 Rated Secondary Current 5A

Technical Specifications

Rated Burden 2.5VA, 5VA and 10VA
 Class of Accuracy 0.5 and 1
 Short Circuit Thermal Current I_{th} 60 x I_n (for 1 sec)
 Rated Dynamic Current 2.55 x I_{th}
 Insulation Class Class E (max 75°C)
 Max Operating Voltage 720V maximum
 Insulation Test Voltage 3kV AC for 1 minute
 Compliance Standard IEC-61869-2

Other Specifications

Operating Temperature 20°C to 70°C
 Storage Temperature 0°C to 55°C
 Weight 800g

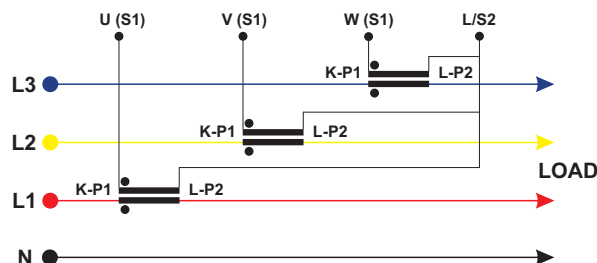
Ordering Information

Metering Current Transformer

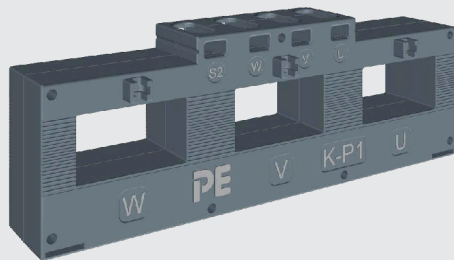
Item Code	Sr. No.	Ratio		Class			
		I _p (Amp)	I _s (Amp)	2.5VA	5VA	10VA	15VA
PE403.200	1	200	5	1	-	-	-
PE403.250	2	250	5	1	-	-	-
PE403.300	3	300	5	-	1	-	-
PE403.350	4	350	5	-	1	-	-
PE403.400	5	400	5	-	1	-	-
PE403.500	6	500	5	-	1	-	-
PE403.600	7	600	5	-	0.5	1	-
PE403.630	8	630	5	-	0.5	1	-

Example order code: PE403.600 10VA CL1

Wiring Diagram



3 PHASE GLASS FILLED ABS MOULDED CURRENT TRANSFORMERS



Features:

- ☞ Easy bus bar mounting
- ☞ Glass filled ABS plastic moulding
- ☞ Double screw terminals
- ☞ Apertures accepting a wide range of bus bar
- ☞ Used ultrasonically welded and unbreakable

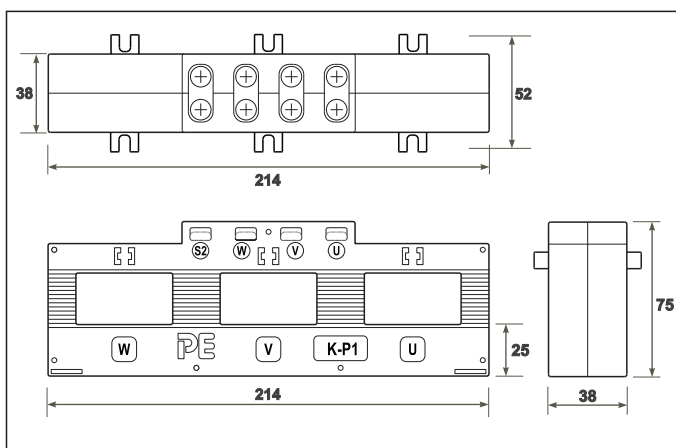
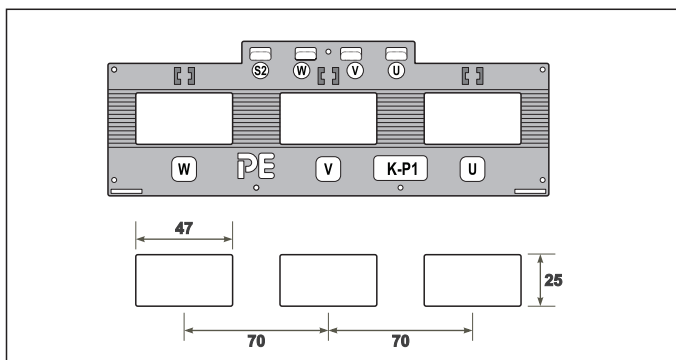
Advantages

- Easy to installation
- Highly cost effective
- Compact in size

Applications

- Switchgear
- Distribution System
- Generator Sets
- Control Panels
- Control Devices
- Overload Protection

Dimensions



All dimensions unit is mm

Input Specifications

Rated Primary Current (In) 50A to 300A
 Rated Secondary Current 5A

Technical Specifications

Rated Burden 2.5VA, 5VA, 10VA and 15VA
 Class of Accuracy 0.5 and 1
 Short Circuit Thermal Current I_{th} 60 x I_n (for 1 sec)
 Rated Dynamic Current 2.55 x I_{th}
 Insulation Class Class E (max 75°C)
 Max Operating Voltage 720V maximum
 Insulation Test Voltage 3kV AC for 1 minute
 Compliance Standard IEC-61869-2

Other Specifications

Operating Temperature 20°C to 70°C
 Storage Temperature 0°C to 55°C
 Weight 1000g

Ordering Information

Metering Current Transformer

Item Code	Sr. No.	Ratio		Class			
		I _p (Amp)	I _s (Amp)	2.5VA	5VA	10VA	15VA
PE603.300	1	300	5	1	-	-	-
PE603.350	2	350	5	1	-	-	-
PE603.400	3	400	5	-	1	-	-
PE603.500	4	500	5	-	1	-	-
PE603.600	5	600	5	-	1	-	-
PE603.630	6	630	5	-	1	-	-
PE603.800	7	800	5	-	0.5	1	-
PE603.1000	8	1000	5	-	0.5	1	-
PE603.1200	9	1200	5	-	-	0.5	1
PE603.1250	10	1250	5	-	-	0.5	1

Example order code: **PE603.600 5VA CL1**

Wiring Diagram

