

GLASS FILLED ABS MOULDED CURRENT TRANSFORMERS



Features:

- ☞ Easy bus bar mounting
- ☞ Glass filled ABS plastic moulding
- ☞ Double screw terminals
- ☞ Apertures accepting a wide range of bus bar
- ☞ Used ultrasonically welded and unbreakable

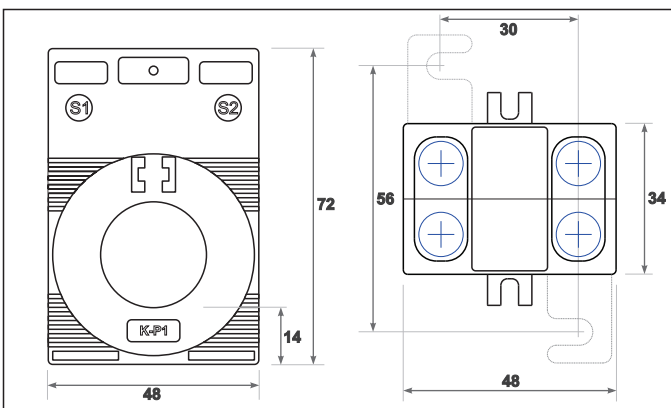
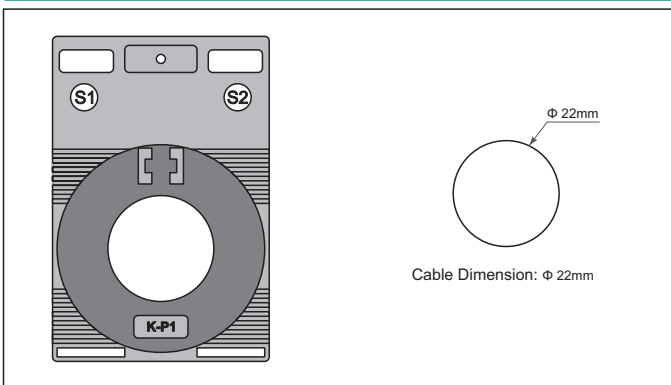
Advantages

- Easy to installation
- Highly cost effective
- Compact in size

Applications

- Switchgear
- Distribution System
- Generator Sets
- Control Panels
- Control Devices
- Overload Protection

Dimensions



All dimensions unit is mm

Input Specifications

Rated Primary Current (In) 50A to 250A
 Rated Secondary Current 5A / 1A

Technical Specifications

Rated Burden 1.5VA, 2.5VA, 5VA and 7.5VA
 Class of Accuracy 0.5, 1
 Short Circuit Thermal Current Ith 60 x In (for 1 sec)
 Rated Dynamic Current 2.55 x Ith
 Insulation Class Class E (max 75°C)
 Max Operating Voltage 720V maximum
 Insulation Test Voltage 3kV AC for 1 minute
 Compliance Standard IEC-61869-2

Other Specifications

Operating Temperature 20°C to 70°C
 Storage Temperature 0°C to 55°C
 Weight 350g

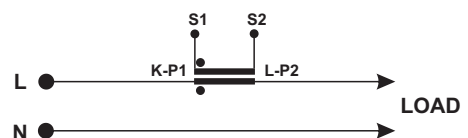
Ordering Information

Metering Current Transformer

Item Code	Sr. No.	Ratio		Class			
		Ip (Amp)	Is (Amp)	1.5VA	2.5VA	5VA	7.5VA
PE201.50	1	50	1&5	0.5 / 1	0.5 / 1	-	-
PE201.60	2	60	1&5	0.5 / 1	0.5 / 1	-	-
PE201.75	3	75	1&5	0.5 / 1	0.5 / 1	-	-
PE201.80	4	80	1&5	0.5 / 1	0.5 / 1	-	-
PE201.100	5	100	1&5	-	0.5 / 1	1	-
PE201.120	6	120	1&5	-	0.5 / 1	1	-
PE201.125	7	125	1&5	-	0.5 / 1	1	-
PE201.150	8	150	1&5	-	0.5 / 1	1	-
PE201.160	9	160	1&5	-	0.5 / 1	1	-
PE201.200	10	200	1&5	-	-	0.5 / 1	1
PE201.250	11	250	1&5	-	-	0.5 / 1	1

Example order code: PE201.100 2.5VA CL0.5

Wiring Diagram



GLASS FILLED ABS MOULDED CURRENT TRANSFORMERS



Features:

- ☞ Easy bus bar mounting
- ☞ Glass filled ABS plastic moulding
- ☞ Double screw terminals
- ☞ Apertures accepting a wide range of bus bar
- ☞ Used ultrasonically welded and unbreakable

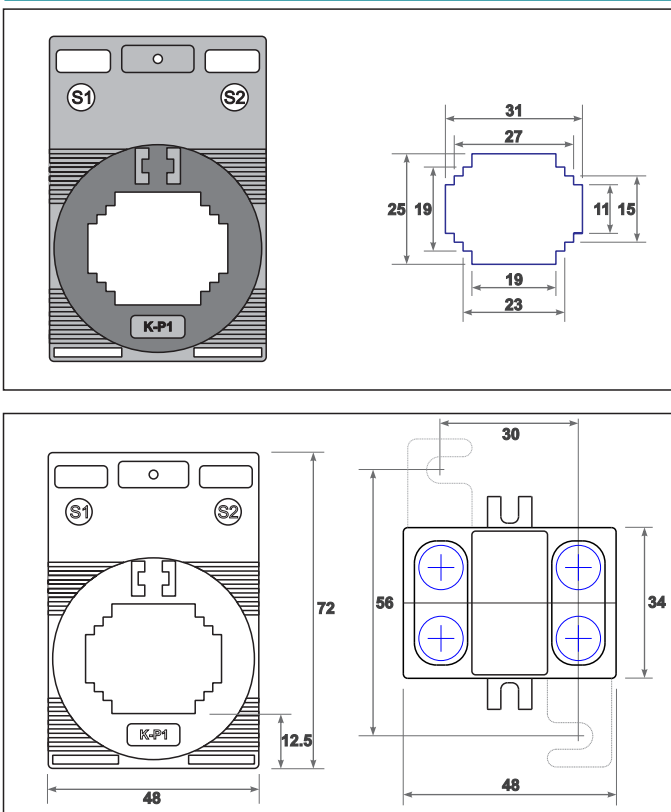
Advantages

- Easy to installation
- Highly cost effective
- Compact in size

Applications

- Switchgear
- Distribution System
- Generator Sets
- Control Panels
- Control Devices
- Overload Protection

Dimensions



All dimensions unit is mm

Input Specifications

Rated Primary Current (In) 50A to 630A
 Rated Secondary Current 5A / 1A

Technical Specifications

Rated Burden 1VA, 2.5VA, 5VA and 7.5VA
 Class of Accuracy 0.5, 1 and 3
 Short Circuit Thermal Current Ith 60 x In (for 1 sec)
 Rated Dynamic Current 2.55 x Ith
 Insulation Class Class E (max 75°C)
 Max Operating Voltage 720V maximum
 Insulation Test Voltage 3kV AC for 1 minute
 Compliance Standard IEC-61869-2

Other Specifications

Operating Temperature 20°C to 70°C
 Storage Temperature 0°C to 55°C
 Weight 200g

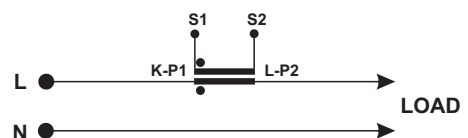
Ordering Information

Metering Current Transformer

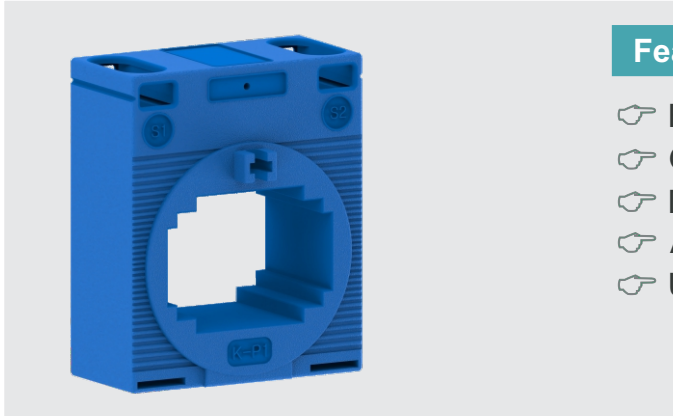
Item Code	Sr. No.	Ratio		Class			
		Ip (Amp)	Is (Amp)	1VA	2.5VA	5VA	7.5VA
PE301.50	1	50	1&5	3	-	-	-
PE301.75	2	75	1&5	3	-	-	-
PE301.80	3	80	1&5	3	-	-	-
PE301.100	4	100	1&5	1	-	-	-
PE301.125	5	125	1&5	1	-	-	-
PE301.150	6	150	1&5	1	-	-	-
PE301.200	7	200	1&5	0.5	1	-	-
PE301.250	8	250	1&5	0.5	1	-	-
PE301.300	9	300	1&5	0.5	1	-	-
PE301.400	10	400	1&5	-	0.5	1	-
PE301.500	11	500	1&5	-	0.5	1	-
PE301.600	12	600	1&5	-	0.5	1	1
PE301.630	13	630	1&5	-	0.5	1	1

Example order code: PE301.100 1VA CL1

Wiring Diagram



GLASS FILLED ABS MOULDED CURRENT TRANSFORMERS



Features:

- ☞ Easy bus bar mounting
- ☞ Glass filled ABS plastic moulding
- ☞ Double screw terminals
- ☞ Apertures accepting a wide range of bus bar
- ☞ Used ultrasonically welded and unbreakable

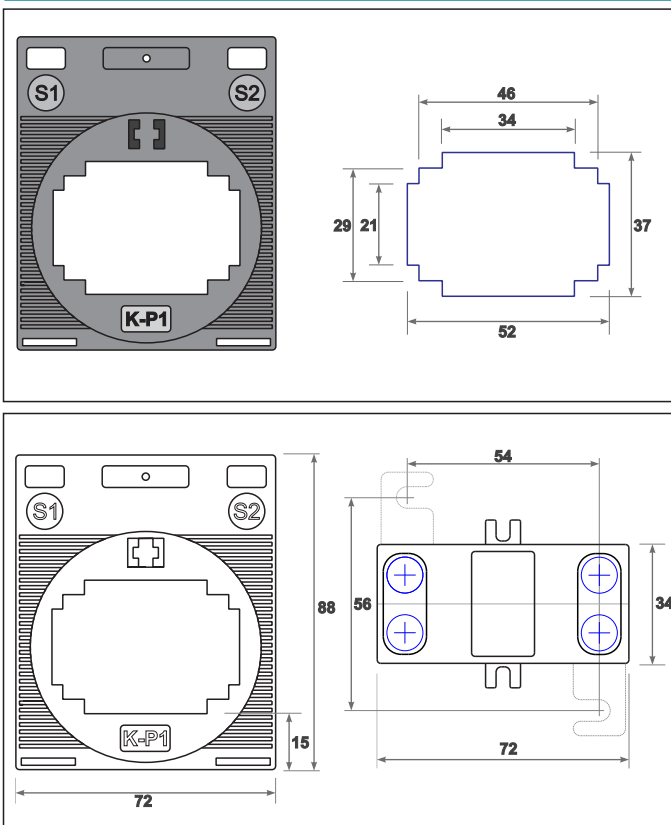
Advantages

- Easy to installation
- Highly cost effective
- Compact in size

Applications

- Switchgear
- Distribution System
- Generator Sets
- Control Panels
- Control Devices
- Overload Protection

Dimensions



All dimensions unit is mm

Input Specifications

Rated Primary Current (In) 100A to 1250A
 Rated Secondary Current 5A / 1A

Technical Specifications

Rated Burden 1VA, 2.5VA, 5VA and 10VA
 Class of Accuracy 0.5 and 1
 Short Circuit Thermal Current Ith 60 x In (for 1 sec)
 Rated Dynamic Current 2.55 x Ith
 Insulation Class Class E (max 75°C)
 Max Operating Voltage 720V maximum
 Insulation Test Voltage 3kV AC for 1 minute
 Compliance Standard IEC-61869-2

Other Specifications

Operating Temperature 20°C to 70°C
 Storage Temperature 0°C to 55°C
 Weight 300g

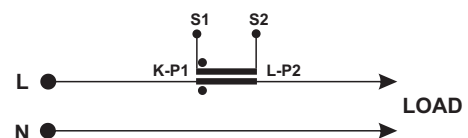
Ordering Information

Metering Current Transformer

Item Code	Sr. No.	Ratio		Class			
		Ip (Amp)	Is (Amp)	1VA	2.5VA	5VA	10VA
PE401.100	1	100	1&5	1	-	-	-
PE401.150	2	150	1&5	1	-	-	-
PE401.200	3	200	1&5	0.5	1	-	-
PE401.250	4	250	1&5	0.5	1	-	-
PE401.300	5	300	1&5	0.5	1	-	-
PE401.400	6	400	1&5	-	0.5	1	-
PE401.500	7	500	1&5	-	0.5	1	-
PE401.600	8	600	1&5	-	0.5	1	-
PE401.630	9	630	1&5	-	0.5	1	-
PE401.800	10	800	1&5	-	-	0.5	1
PE401.1000	11	1000	1&5	-	-	0.5	1
PE401.1200	12	1200	1&5	-	-	0.5	1
PE401.1250	13	1250	1&5	-	-	0.5	1

Example order code: PE401.1000 5VA CL0.5

Wiring Diagram



GLASS FILLED ABS MOULDED CURRENT TRANSFORMERS



Features:

- ☞ Easy bus bar mounting
- ☞ Glass filled ABS plastic moulding
- ☞ Double screw terminals
- ☞ Apertures accepting a wide range of bus bar
- ☞ Used ultrasonically welded and unbreakable

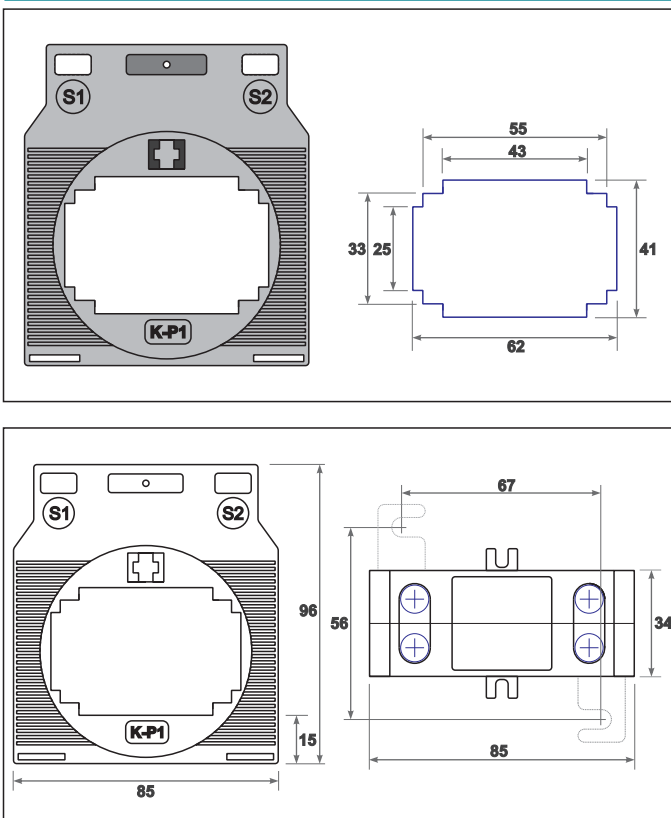
Advantages

- Easy to installation
- Highly cost effective
- Compact in size

Applications

- Switchgear
- Distribution System
- Generator Sets
- Control Panels
- Control Devices
- Overload Protection

Dimensions



All dimensions unit is mm

Input Specifications

Rated Primary Current (In) 250A to 1600A
 Rated Secondary Current 5A / 1A

Technical Specifications

Rated Burden 2.5VA, 5VA, 10VA and 15VA
 Class of Accuracy 0.5 and 1
 Short Circuit Thermal Current Ith 60 x In (for 1 sec)
 Rated Dynamic Current 2.55 x Ith
 Insulation Class Class E (max 75°C)
 Max Operating Voltage 720V maximum
 Insulation Test Voltage 3kV AC for 1 minute
 Compliance Standard IEC-61869-2

Other Specifications

Operating Temperature 20°C to 70°C
 Storage Temperature 0°C to 55°C
 Weight 420g

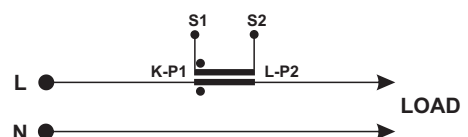
Ordering Information

Metering Current Transformer

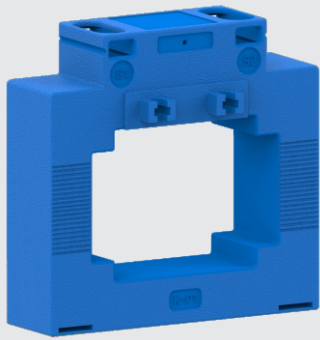
Item Code	Sr. No.	Ratio		Class			
		Ip (Amp)	Is (Amp)	2.5VA	5VA	10VA	15VA
PE601.250	1	250	1&5	1	-	-	-
PE601.300	2	300	1&5	1	-	-	-
PE601.400	3	400	1&5	0.5	1	-	-
PE601.500	4	500	1&5	0.5	1	-	-
PE601.600	5	600	1&5	0.5	1	-	-
PE601.630	6	630	1&5	0.5	1	-	-
PE601.800	7	800	1&5	-	0.5	1	-
PE601.1000	8	1000	1&5	-	0.5	1	-
PE601.1200	9	1200	1&5	-	-	0.5	1
PE601.1250	10	1250	1&5	-	-	0.5	1
PE601.1500	11	1500	1&5	-	-	0.5	1
PE601.1600	12	1600	1&5	-	-	0.5	1

Example order code: PE601.1200 10VA CL0.5

Wiring Diagram



GLASS FILLED ABS MOULDED CURRENT TRANSFORMERS



Features:

- ☞ Easy bus bar mounting
- ☞ Glass filled ABS plastic moulding
- ☞ Double screw terminals
- ☞ Apertures accepting a wide range of bus bar
- ☞ Used ultrasonically welded and unbreakable

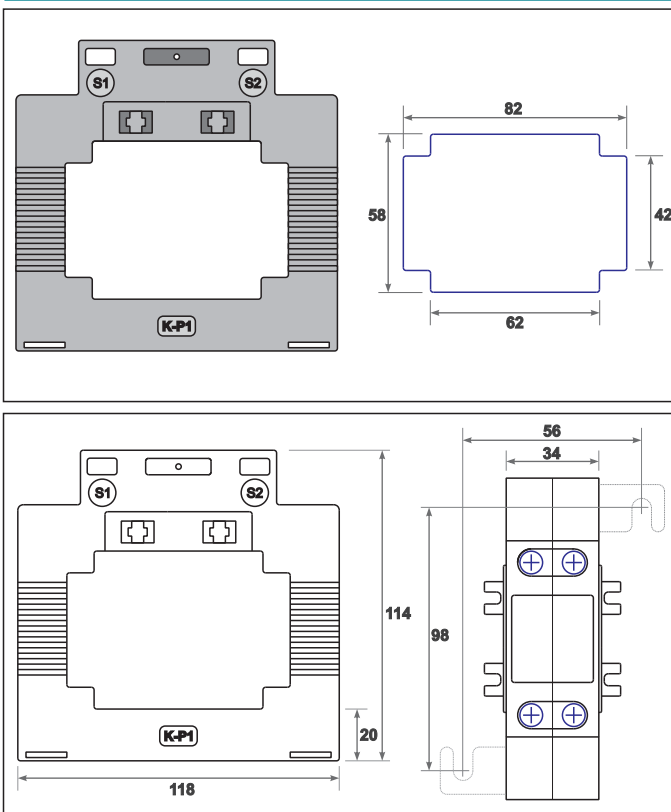
Advantages

- Easy to installation
- Highly cost effective
- Compact in size

Applications

- Switchgear
- Distribution System
- Generator Sets
- Control Panels
- Control Devices
- Overload Protection

Dimensions



All dimensions unit is mm

Input Specifications

Rated Primary Current (In) 400A to 3200A
 Rated Secondary Current 5A / 1A

Technical Specifications

Rated Burden 5VA, 10VA, 15VA and 30VA
 Class of Accuracy 0.5 and 1
 Short Circuit Thermal Current I_{th} 60 x I_n (for 1 sec)
 Rated Dynamic Current 2.55 x I_{th}
 Insulation Class Class E (max 75°C)
 Max Operating Voltage 720V maximum
 Insulation Test Voltage 3kV AC for 1 minute
 Compliance Standard IEC-61869-2

Other Specifications

Operating Temperature 20°C to 70°C
 Storage Temperature 0°C to 55°C
 Weight 550g

Ordering Information

Metering Current Transformer

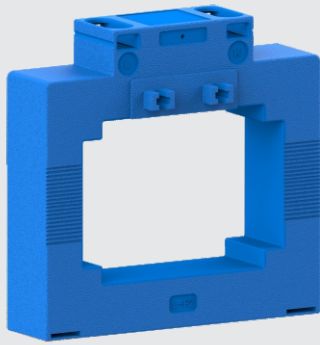
Item Code	Sr. No.	Ratio		Class			
		I _p (Amp)	I _s (Amp)	5VA	10VA	15VA	30VA
PE801.400	1	400	1&5	1	-	-	-
PE801.500	2	500	1&5	1	-	-	-
PE801.600	3	600	1&5	0.5	1	-	-
PE801.630	4	630	1&5	0.5	1	-	-
PE801.800	5	800	1&5	0.5	0.5 / 1	1	-
PE801.1000	6	1000	1&5	0.5	0.5 / 1	1	-
PE801.1200	7	1200	1&5	-	0.5	0.5 / 1	-
PE801.1250	8	1250	1&5	-	0.5	0.5 / 1	-
PE801.1500	9	1500	1&5	-	0.5	0.5 / 1	-
PE801.1600	10	1600	1&5	-	0.5	0.5 / 1	-
PE801.2000	11	2000	1&5	-	-	0.5 / 1	1
PE801.2500	12	2500	1&5	-	-	0.5 / 1	1
PE801.3000	13	3000	1&5	-	-	0.5 / 1	1
PE801.3200	14	3200	1&5	-	-	0.5 / 1	1

Example order code: PE801.1600 10VA CL0.5

Wiring Diagram



GLASS FILLED ABS MOULDED CURRENT TRANSFORMERS



Features:

- ☞ Easy bus bar mounting
- ☞ Glass filled ABS plastic moulding
- ☞ Double screw terminals
- ☞ Apertures accepting a wide range of bus bar
- ☞ Used ultrasonically welded and unbreakable

Advantages

- Easy to installation
- Highly cost effective
- Compact in size

Applications

- Switchgear
- Distribution System
- Generator Sets
- Control Panels
- Control Devices
- Overload Protection

Input Specifications

Rated Primary Current (In) 400A to 4000A
 Rated Secondary Current 5A / 1A

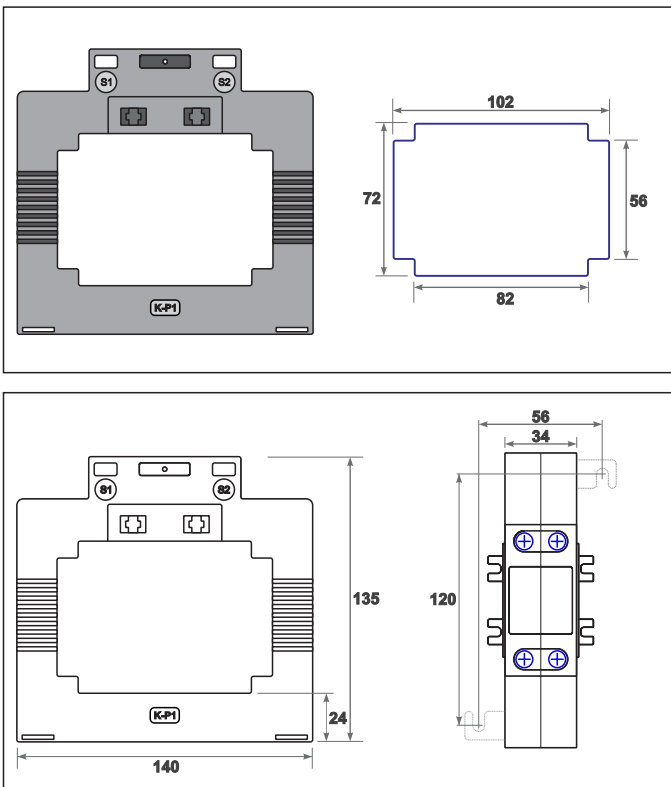
Technical Specifications

Rated Burden 5VA, 10VA, 15VA and 30VA
 Class of Accuracy 0.2, 0.5 and 1
 Short Circuit Thermal Current I_{th} 60 x I_n (for 1 sec)
 Rated Dynamic Current 2.55 x I_{th}
 Insulation Class Class E (max 75°C)
 Max Operating Voltage 720V maximum
 Insulation Test Voltage 3kV AC for 1 minute
 Compliance Standard IEC-61869-2

Other Specifications

Operating Temperature 20°C to 70°C
 Storage Temperature 0°C to 55°C
 Weight 750g

Dimensions



All dimensions unit is mm

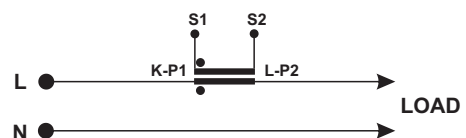
Ordering Information

Metering Current Transformer

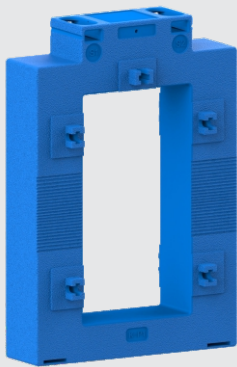
Item Code	Sr. No.	Ratio		Class			
		I _p (Amp)	I _s (Amp)	5VA	10VA	15VA	30VA
PE1001.400	1	400	1&5	1	-	-	-
PE1001.500	2	500	1&5	1	-	-	-
PE1001.600	3	600	1&5	0.5	1	-	-
PE1001.630	4	630	1&5	0.5	1	-	-
PE1001.800	5	800	1&5	0.5	1	-	-
PE1001.1000	6	1000	1&5	-	0.5	1	-
PE1001.1200	7	1200	1&5	-	0.5	1	-
PE1001.1250	8	1250	1&5	-	0.5	1	-
PE1001.1500	9	1500	1&5	-	0.5	0.5 / 1	-
PE1001.1600	10	1600	1&5	-	0.5	0.5 / 1	-
PE1001.2000	11	2000	1&5	-	0.2	0.5 / 1	1
PE1001.2500	12	2500	1&5	-	0.2	0.5 / 1	1
PE1001.3000	13	3000	1&5	-	0.2	0.5 / 1	1
PE1001.3200	14	3200	1&5	-	0.2	0.5 / 1	1
PE1001.4000	15	4000	1&5	-	0.2	0.5 / 1	1

Example order code: PE1001.2000 15VA CL0.5

Wiring Diagram



GLASS FILLED ABS MOULDED CURRENT TRANSFORMERS



Features:

- ☞ Easy bus bar mounting
- ☞ Glass filled ABS plastic moulding
- ☞ Double screw terminals
- ☞ Apertures accepting a wide range of bus bar
- ☞ Used ultrasonically welded and unbreakable

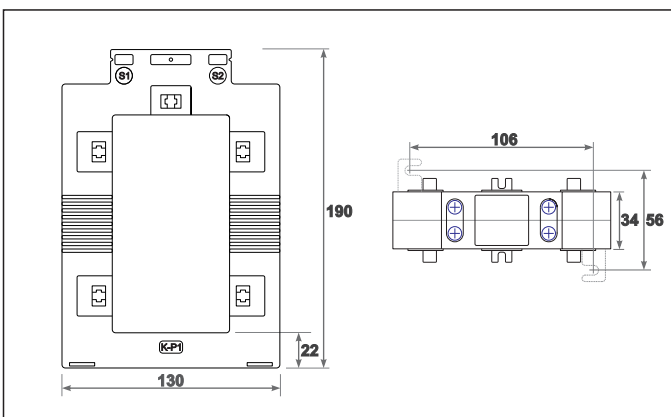
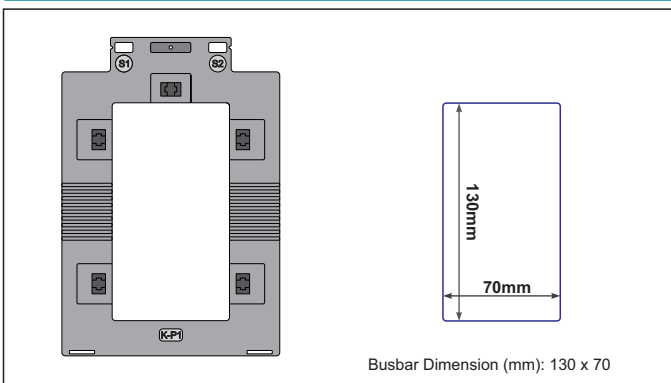
Advantages

- Easy to installation
- Highly cost effective
- Compact in size

Applications

- Switchgear
- Distribution System
- Generator Sets
- Control Panels
- Control Devices
- Overload Protection

Dimensions



All dimensions unit is mm

Input Specifications

Rated Primary Current (In) 800A to 6300A
 Rated Secondary Current 5A / 1A

Technical Specifications

Rated Burden 7.5VA, 10VA, 15VA and 30VA
 Class of Accuracy 0.2, 0.5 and 1
 Short Circuit Thermal Current Ith 60 x In (for 1 sec)
 Rated Dynamic Current 2.5 x Ith
 Insulation Class Class E (max 75°C)
 Max Operating Voltage 720V maximum
 Insulation Test Voltage 3kV AC for 1 minute
 Compliance Standard IEC-61869-2

Other Specifications

Operating Temperature 20°C to 70°C
 Storage Temperature 0°C to 55°C
 Weight 950g

Ordering Information

Metering Current Transformer

Item Code	Sr. No.	Ratio		Class			
		Ip (Amp)	Is (Amp)	7.5VA	10VA	15VA	30VA
PE1002.800	1	800	1&5	0.5	1	-	-
PE1002.1000	2	1000	1&5	-	0.5	1	-
PE1002.1200	3	1200	1&5	-	0.5	1	-
PE1002.1250	4	1250	1&5	-	0.5	1	-
PE1002.1500	5	1500	1&5	0.2	0.5	1	-
PE1002.1600	6	1600	1&5	0.2	0.5	1	-
PE1002.2000	7	2000	1&5	0.2	-	0.5 / 1	1
PE1002.2500	8	2500	1&5	0.2	-	0.5 / 1	1
PE1002.3000	9	3000	1&5	-	0.2	0.5 / 1	1
PE1002.3200	10	3200	1&5	-	0.2	0.5 / 1	1
PE1002.4000	11	4000	1&5	-	0.2	0.5 / 1	1
PE1002.5000	12	5000	1&5	-	0.2	0.5 / 1	1
PE1002.6000	13	6000	1&5	-	0.2	0.5 / 1	1
PE1002.6300	14	6300	1&5	-	0.2	0.5 / 1	1

Example order code: PE1002.2500 15VA CL0.5

Wiring Diagram

