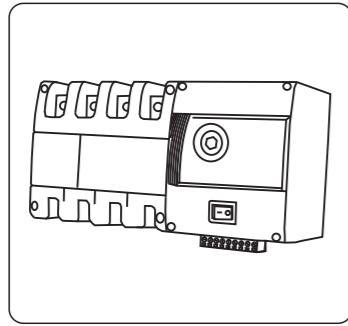


100x60

VEGA



Automatic Transfer Switch

Model:

Rated Current:

Operated Voltage:

Pole:

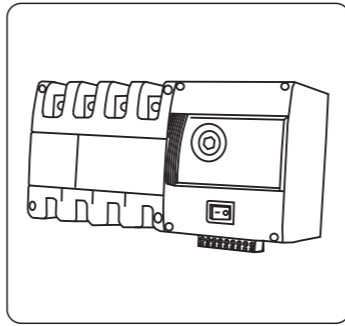
QTY:

Standard:



300

VEGA



Automatic Transfer Switch

Model:

Rated Current:

Operated Voltage:

Pole:

QTY:

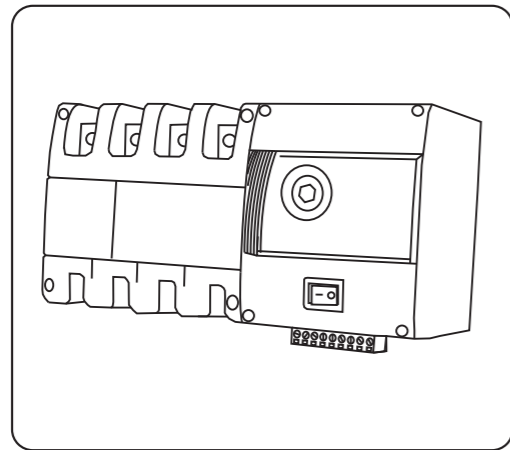
Standard:



20

150x80

VEGA



Automatic Transfer Switch

Model:

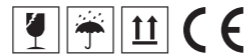
Rated Current:

Operated Voltage:

Pole:

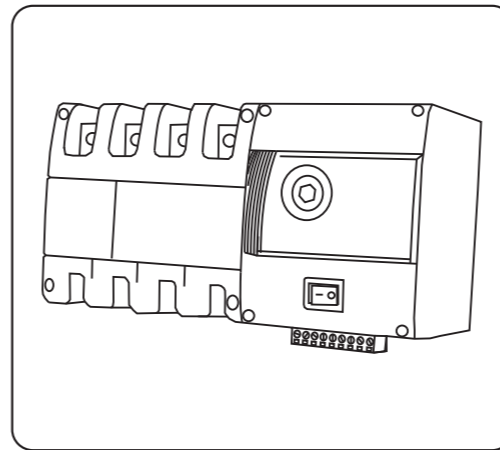
QTY:

Standard:



76

VEGA



Automatic Transfer Switch

Model:

Rated Current:

Operated Voltage:

Pole:

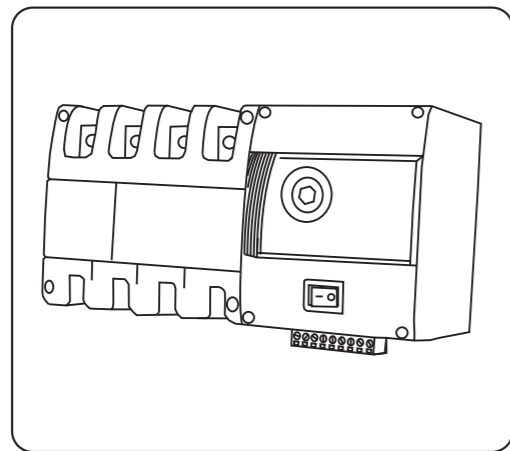
QTY:

Standard:



10

VEGA



Automatic Transfer Switch

Model:

Rated Current:

Operated Voltage:

Pole:

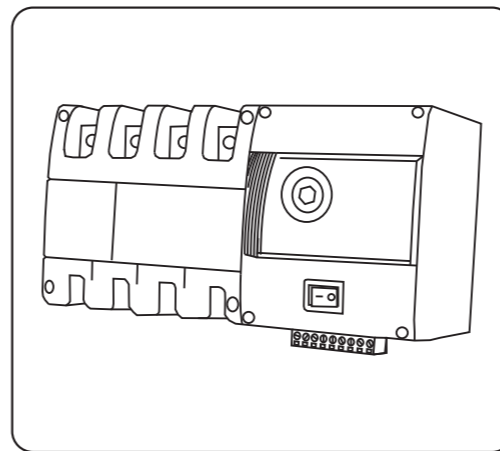
QTY:

Standard:



6

VEGA



Automatic Transfer Switch

Model:

Rated Current:

Operated Voltage:

Pole:

QTY:

Standard:



6

VEGA

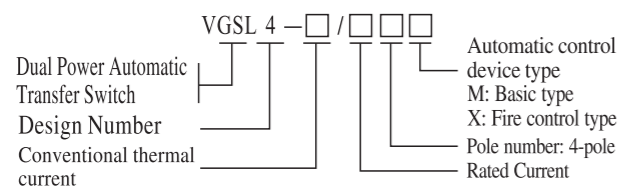
Honorable customers,
Thank you for choosing the VGSL4-125 ~ 800 series automatic transfer switching equipment (hereinafter referred to as ATSE) produced by our company, for your safety and correct use of this product, please read this manual carefully before installation, circuit wiring, running and maintenance inspection.

Notice:

The installation, operation, using and maintenance of the equipment must be carried out by qualified professionals. The company will not be responsible for any bad consequence caused by operations not according to the operating manual.

VGSL4 series Dual Power Automatic Transfer Switch

1. Model and significance



2. The main technical parameters

Accord: IEC 60947-6-1 GB/T14048.11-2016

Conventional thermal current	125A	250A	400A	630A	800A
Rated insulation voltage	800V				
Rated impulse withstand voltage	8KV				
Rated operating voltage	AC400V				
Rated operating current	63A, 80A, 100A, 125A	160A, 200A, 250A	315A, 400A	500A, 630A	700A, 800A
Rated making capability	10KA	25KA	35KA	35KA	35KA
Rated short-time withstand current Ie 30ms	10KA	15KA	20KA	20KA	20KA
Conversion time	≥5s				
Control supply voltage	AC220V				
Motor energy consumption	Start condition 100W, Normal condition 15W				
Life	10000	5500	3500		
Use category	AC-33iB				
Weight	2.2kg	5.6kg	18kg	18.3kg	18.5kg

VGSL4-125~800A Dual Power Automatic Transfer Switch

Note:

Non-company staff please do not disassemble this product to prevent equipment and personal accidents.

I. Usage and use environment

VGSL4-125~800A dual power automatic transfer switch (abbreviated as ATS) is suitable for AC 50/60Hz, AC rated voltage to 400V or under. Rated current 125-800A is suitable for the mutual conversion of two power supply of emergency power supply system during the power exchange. Power is interrupted to the load during power change.

The switch works reliably under the following conditions:

- Altitude does not exceed 2000 meters
- Ambient temperature is not higher than +40°C, not lower than -5°C
- Relative humidity of air is not over 95%
- No explosive medium, and the medium does not have enough gas and dust to corrode metals and destroy insulation.

- No significant shake or shock
- No rain or snow attack

Note: If the expected ambient temperature is higher than +45 or at -5°C ~ -45°C, It should be explained to the manufacturer.

II. Structure and features

1. Structure

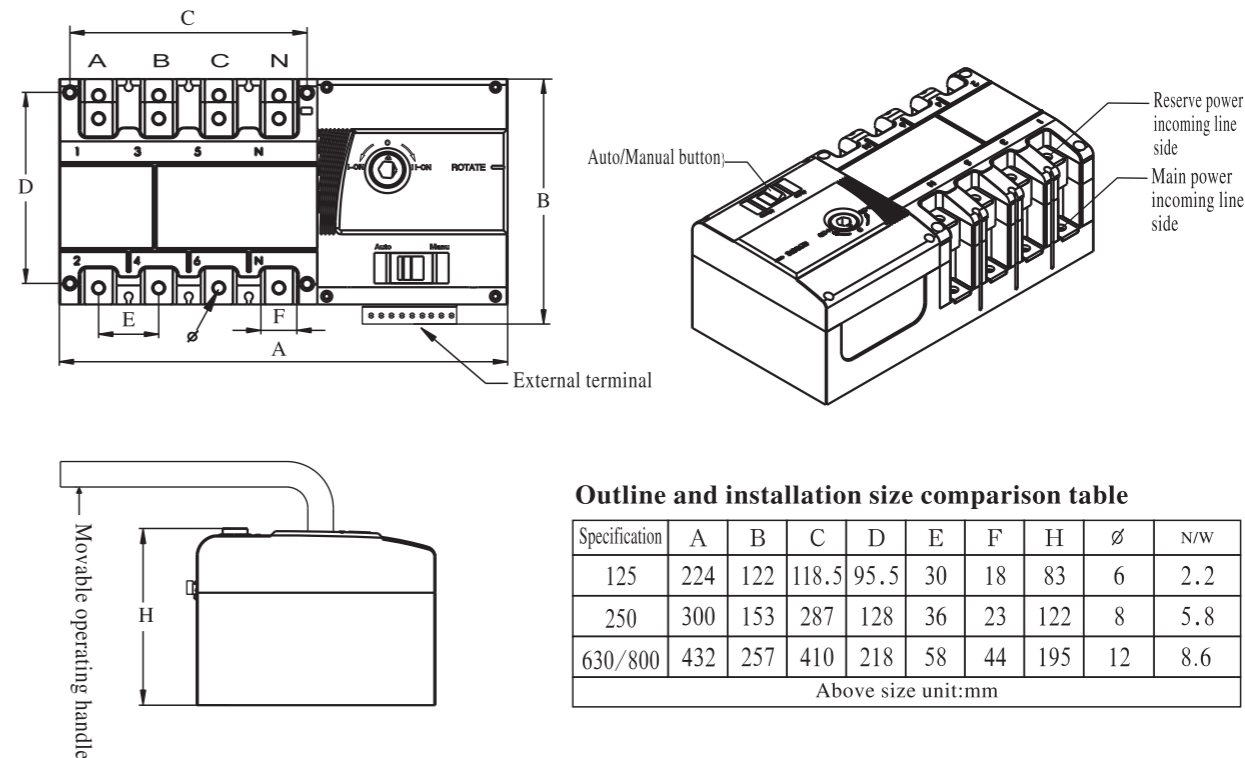
The switch is composed of a main body switch made of a glass fiber unsaturated polyester resin shell, a micro motor, a multi-stage reduction device, and a single-chip control device.

2. Characteristics

The switch has three operating functions:
First, manual handle operation; Second, manual remote control operation; Third, automatic control operation.
The switch has three status positions I O III.

VEGA

III. Outline installation dimension drawing (Size units: mm)

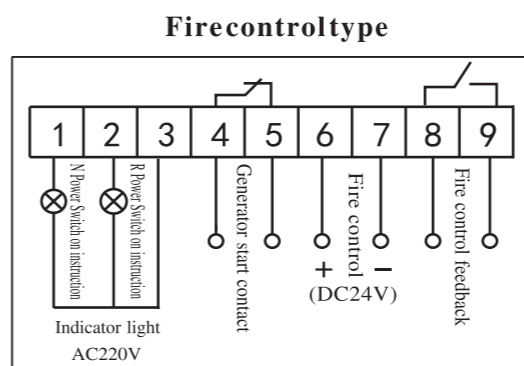
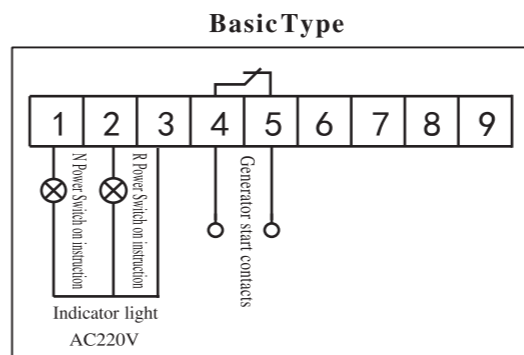


Outline and installation size comparison table

Specification	A	B	C	D	E	F	H	∅	N/W
125	224	122	118.5	95.5	30	18	83	6	2.2
250	300	153	287	128	36	23	122	8	5.8
630/800	432	257	410	218	58	44	195	12	8.6

Above size unit: mm

IV. Secondary wiring diagram



- (1) Manual, automatic button: control switch internal control circuit power, When automatic is selected, the switch automatically transfer When manual is selected, the switch can only be operated by the handle
- (2) Operating handle: When use the switch with the operating handle, the button must be in manual mode.
- (3) Position indication: surface switch working status position
- (4) Switch body: the front part is the II#, connected to the "Reserve power supply"; the rear part is the I #, connected to the "Normal power supply"

CERTIFICATE OF QUALITY

Name: Transfer Switch
Model: VGSL4 Series
Ex factory date: _____
Inspector: _____

This product has passed test, approved for release